

**Description**

The Adjustable stainless steel shower curtain rail with intermediate ceiling support is designed to suit a shower area up to a maximum of 1635mm x 1500mm/1200mm\* 1200mm, but can be cut down to fit smaller spaces. The unit is also reversible so that the longer length can be used on either side.

**Components Supplied**



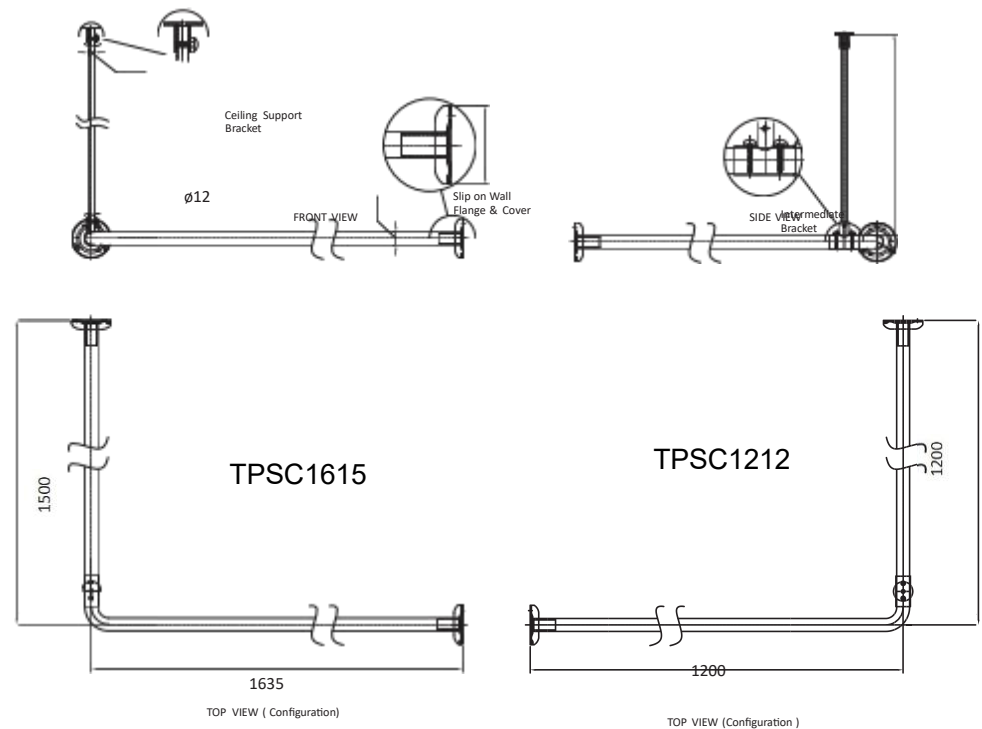
**Pre-Installation**

1. Measure site to ensure correct size and location. Where required, ensure unit is installed to meet disabled code AS1428.1-2009 (Amdt. 2010) and local building codes.
2. Ensure wall construction in fixing locations are able to support the unit.

**Installation**

1. Assemble intermediate support bracket to Straight Rail & Rail with 90 degree bend. Ensure the longer length is in the correct location, if not disassemble and configure so longest length is in the correct location.
2. Where required cut down ends of rail to required size.
3. Locate correct location of wall flanges. Fixing height to be determined from matching shower curtain height. Slide flanges onto curtain rod. Position flanges against wall and secure. (Provide concealed anchor device or backing as specified or required in accordance with local building codes before wall is finished)
4. Locate correct location for ceiling support bracket ensuring hanger rod will be vertical when seated in the intermediate bracket. Fix the Ceiling support bracket. (If required the hanger rod can be cut down to ensure shower curtain rails sits level. If hanger rod is cut down, drill hole in the hanger rod for the locating screw)
5. Snap flange covers over each mounting flange to conceal mounting screws
6. Where required fix rail to slip on wall flanges (fixings by others).

**Dimensions & Rough In**



**Note:** This product should be installed, by suitably qualified persons, in a fit for purpose application, to suitable materials, using suitable fixings and comply with any relevant codes. It should be inspected periodically for signs of wear and tear that may affect performance or safety.

Dimensions are subject to manufacturer's tolerance of +/-10mm. Rough-in should be completed with each fixture.

