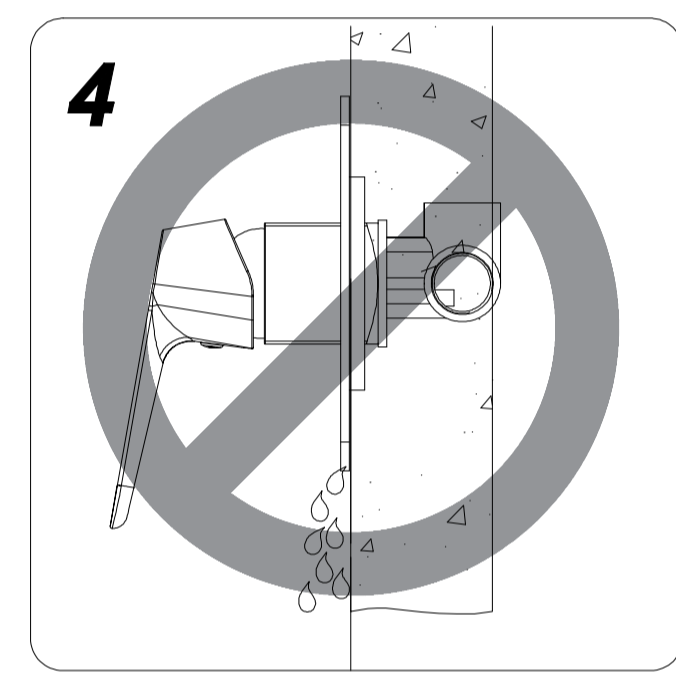
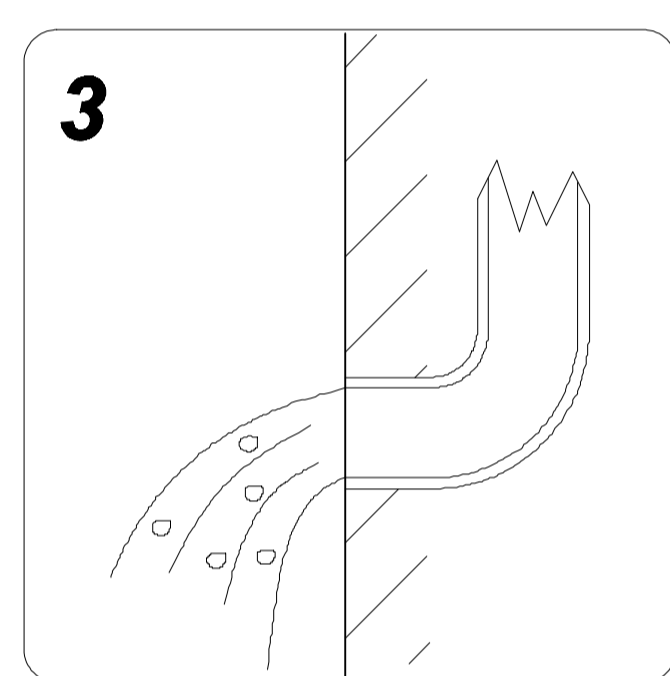
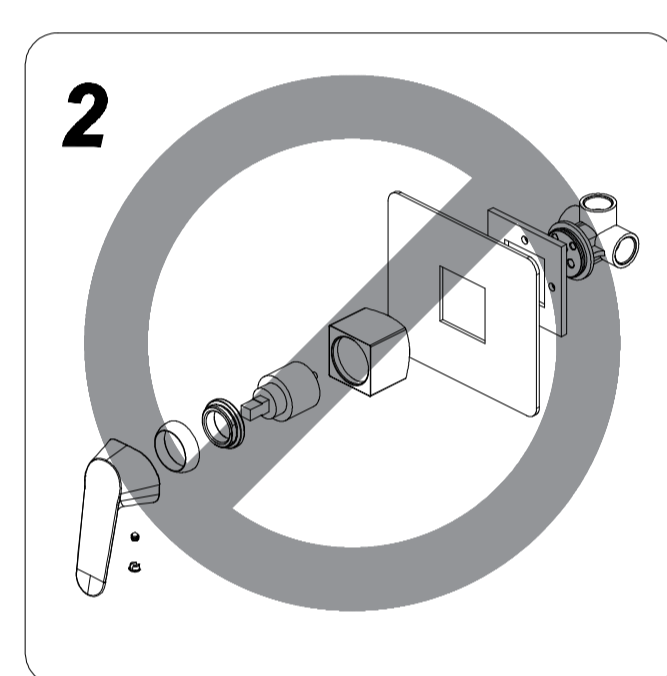


Installation Instruction - TP1315/TP1915

1. Installation Condition

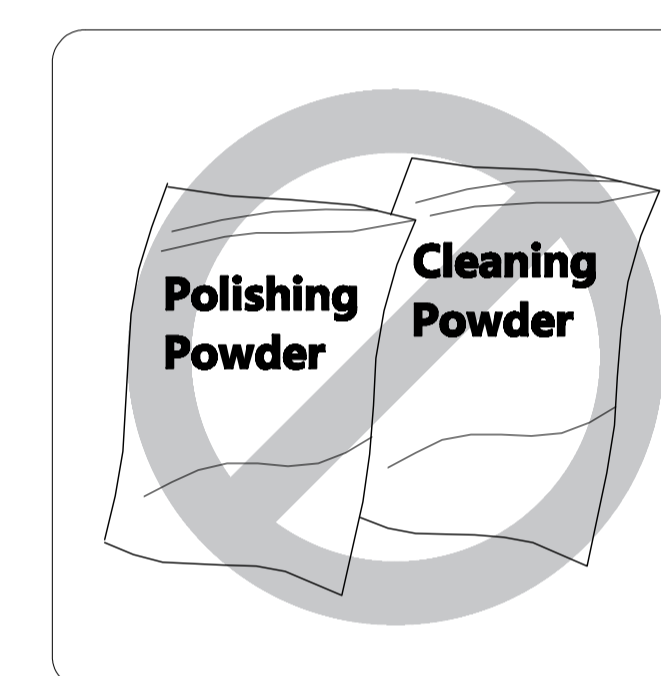
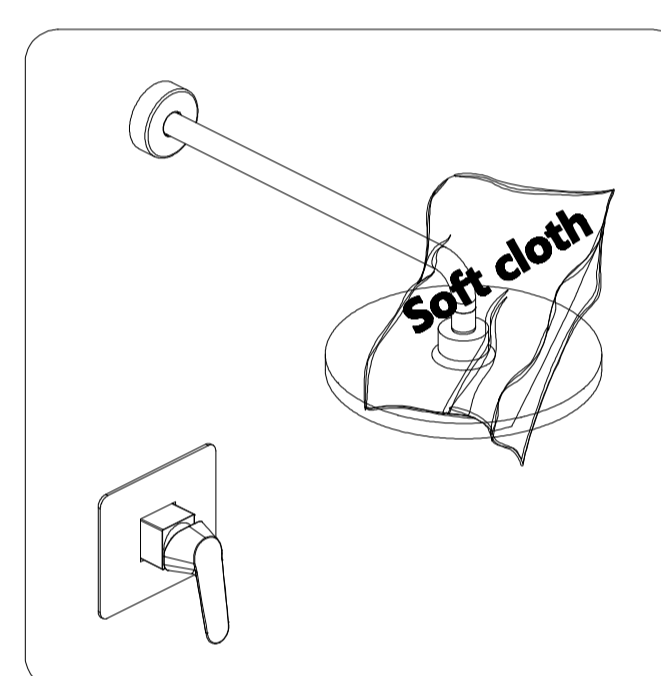
- Please check all parts are supplied when you open the package. Please contact the supplier immediately if there is anything missing.
- Do not disassemble mixer body by yourself.
- Determine inlet pipes and supply stopper have been installed and cleaned, also ensure no impurities in pipeline.
- When finished installation, check all joints and connections for leaks.



2. Care and Maintenance

In order to keep the mixer surface bright, please keep often or regularly to clean the mixer.

- Wash faucet with clean water, and wipe with soft cotton cloth.
- Avoid using cleaning powder, harsh cleaning brushes and cloth with coarse surface to prevent scratching and corrosion.
- Do not use acidic cleaning agents for washing the faucet as it may cause corrosion on the surface. Rinse off with water immediately if the faucet is in contact with harmful acidic agents.



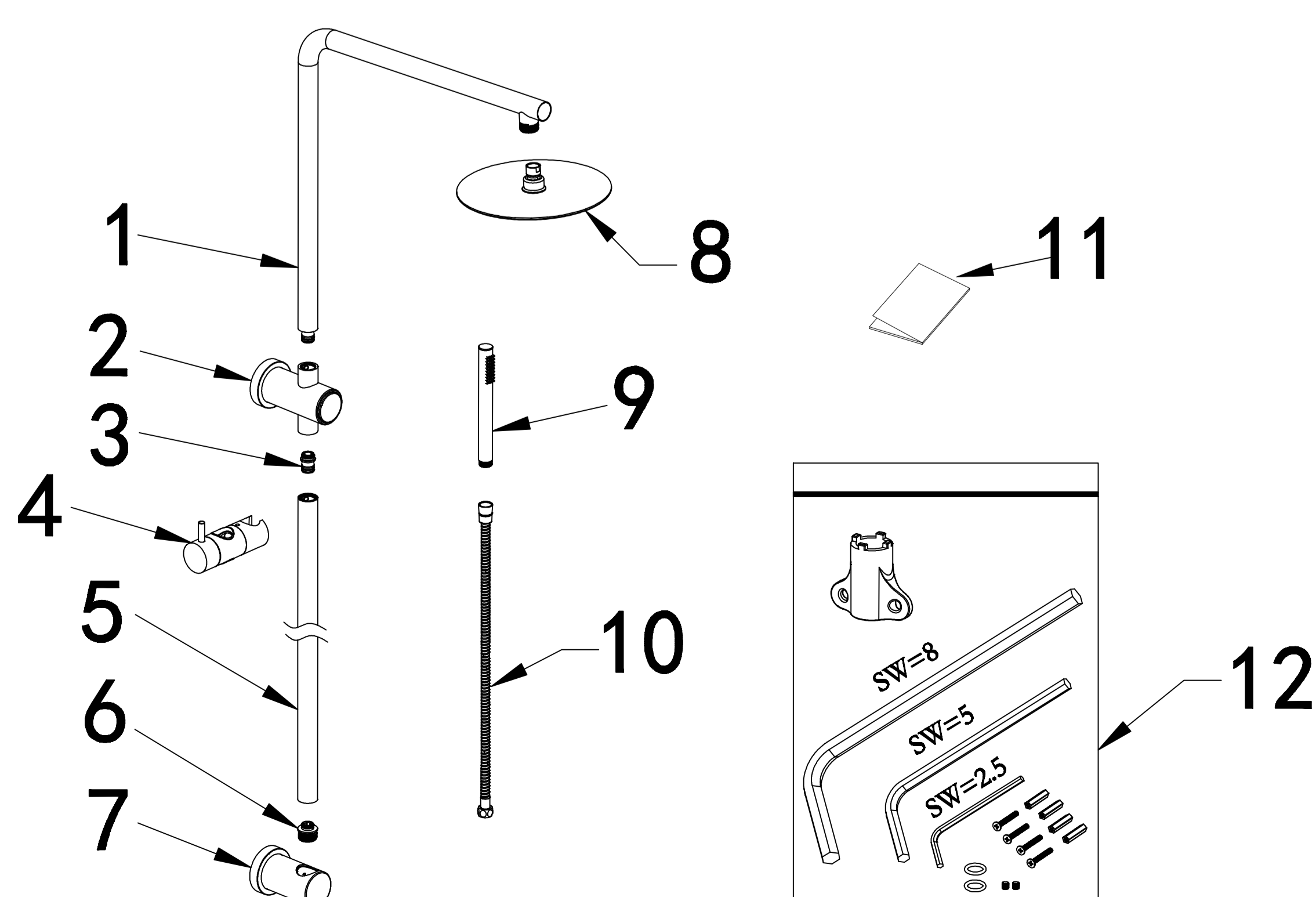
3. Safety Notes

- △ Gloves should be worn during installation to prevent crushing and cutting injuries.
- △ Children as well as adults with physical, mental and/or sensoric impairments must not use this shower system without proper supervision. Persons under the influence of alcohol or drugs are prohibited from using this shower system.
- △ Do not allow the streams of the shower to touch sensitive body parts (such as your eyes). An adequate distance must be kept between the shower and you.
- △ The hot and cold supplies must be of equal pressures.

4. Application Instruction

- Flush the cold and hot pipe completely for clean the impurities.
- The shower head is only available for the shower with check valve.
- Recommend water pressure: 1bar-3bar.
- Install a water pressure reducing valve when the water pressure is higher than 3bar.
- The highest operating temperature and the ambient temperature is 60 °C.

5. Standard Part List

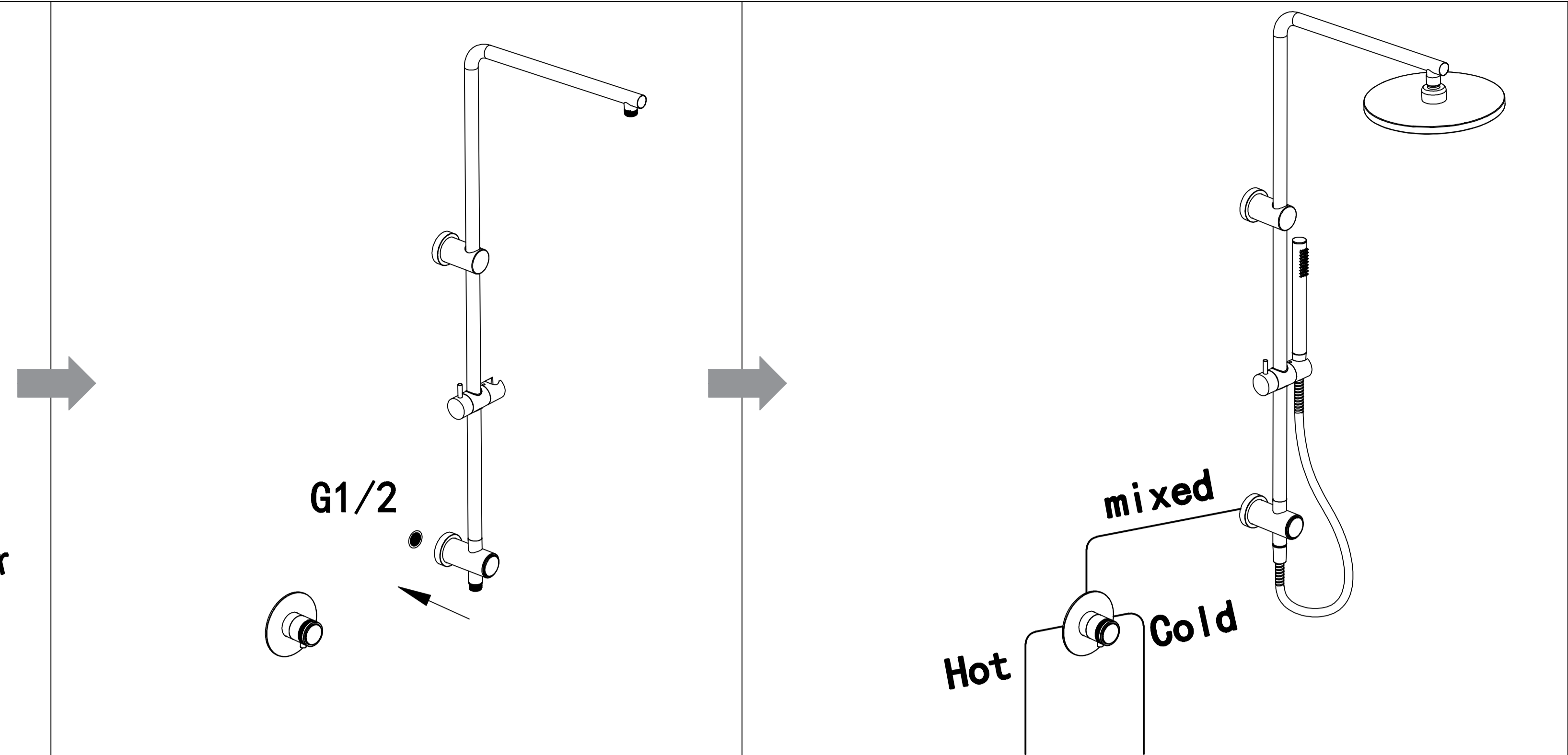
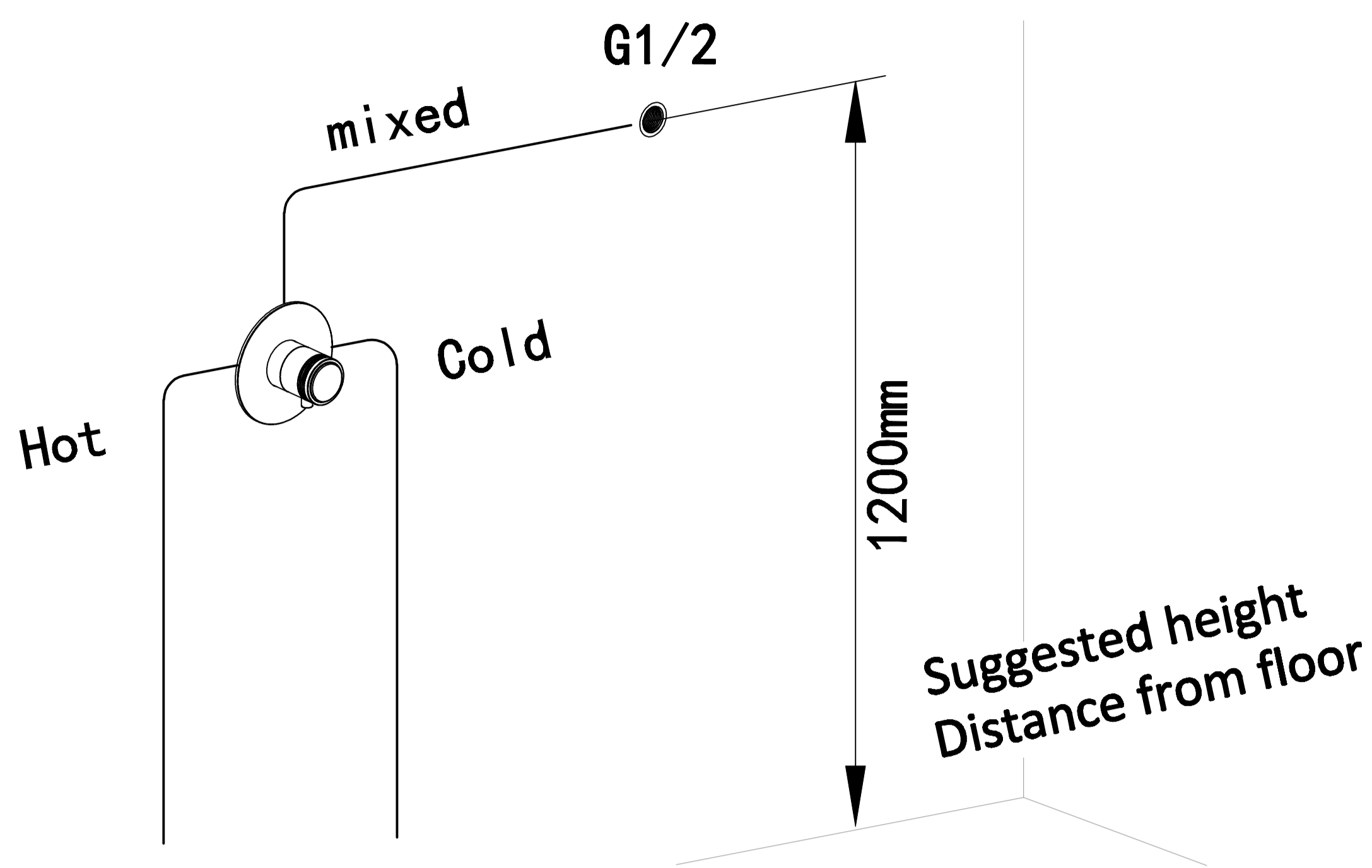


NO.	Part name	Quantity
1	Elbow	1
2	Water main	1
3	Connector	1
4	Slide	1
5	Pipe straight	1
6	Spout connector	1
7	Fixed seat	1
8	Shower head	1
9	Hand shower	1
10	Hose	1
11	Instruction	1
12	Component bag	1

Attention ! !
Pls Read the instruction before installing the product, Pls install the product according to the steps below

Water inlet on the bottom

If the water inlet on the bottom, Pls make holes as below:

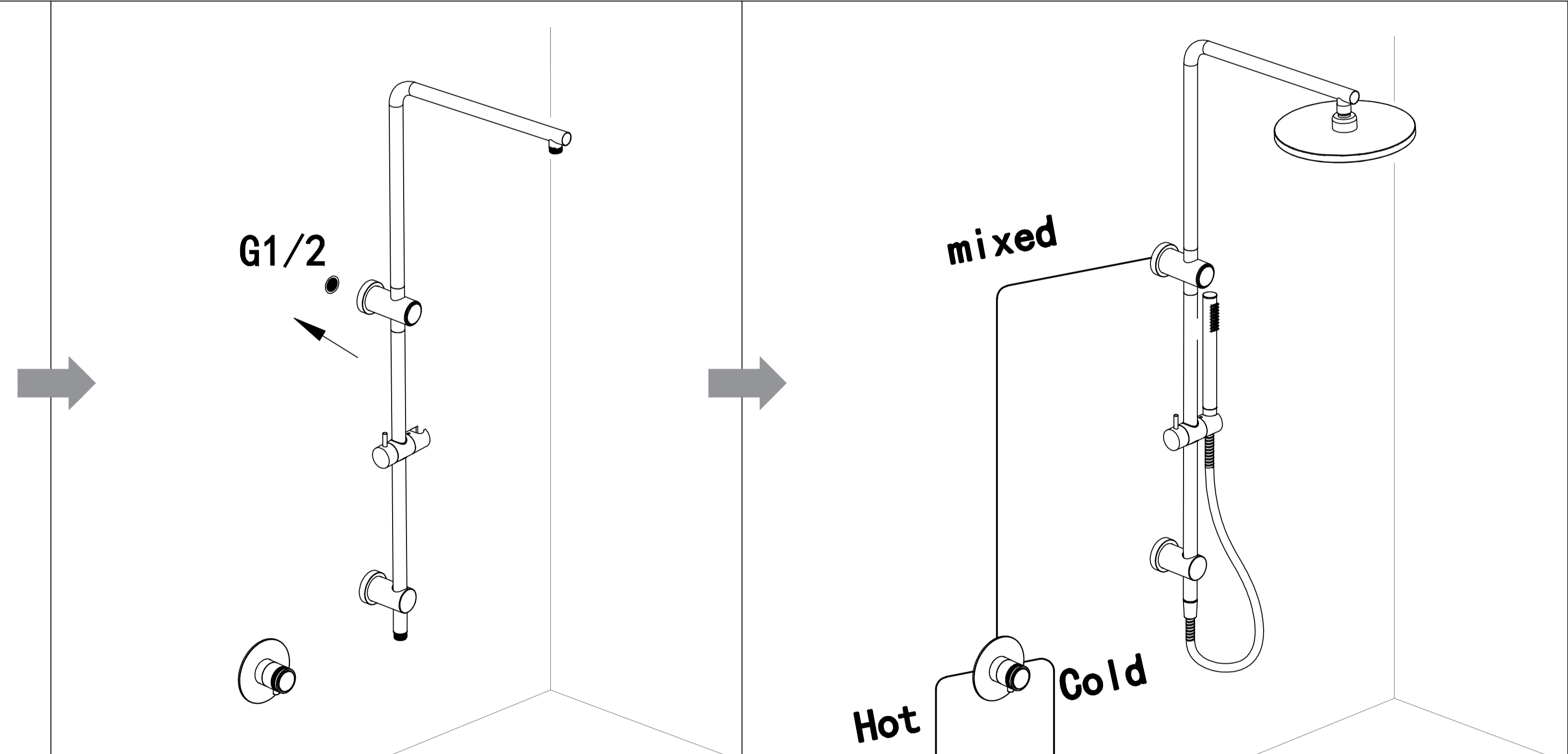
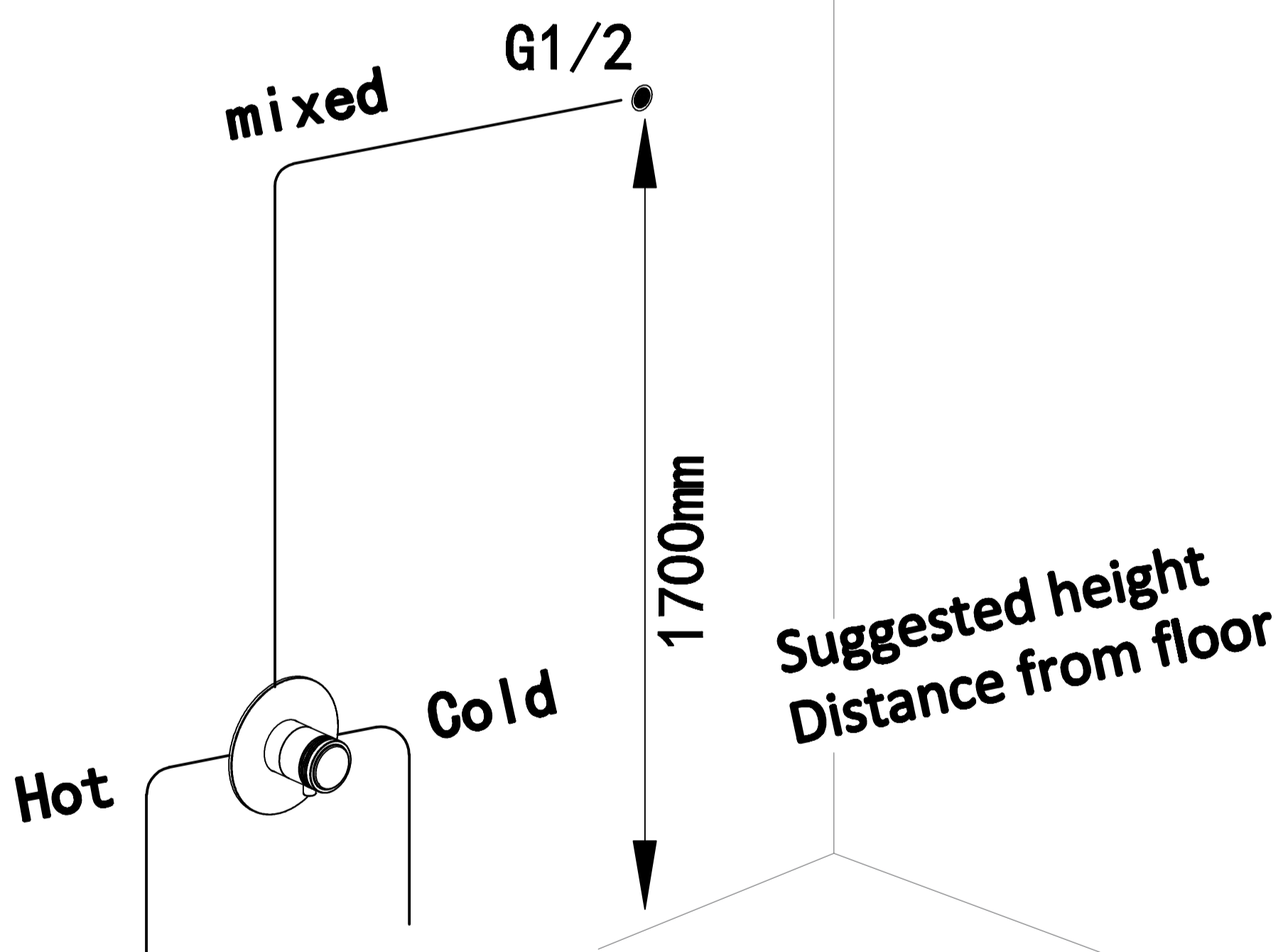


Installation step:

<p>1</p> <p>1, Screw the spout connector to the inlet body. 2, Screw the connector to the straight pipe, install the slider and base</p>	<p>2</p> <p>1, Connect two shower pipe and screw 2, Move the base to cover the joint of two shower pipes 3, Install the diverter and screw</p>	<p>3</p> <p>1, Screw the connector to the G1/2 joint, screw with tape 2, Screw the connector with tape 3, Drill wall hole according to the pipe connector, put expand plastic screw into the hole, fix the connector</p>	<p>4</p> <p>1, Install the shower column with the base and connector. Adjust the size if necessary. 2, Tighter the screw of base and mixer.</p>
---	---	---	--

Water inlet on the top

If the water inlet on the top, Pls make holes as below:



Installation step:

<p>1</p> <p>1: Install the spout connector, out connector and slider to the inlet body and straight pipe 2: Install the top pipe and straight pipe to the inlet body, adjust the direction, tighter the screw</p>	<p>2</p> <p>Install the base to the straight pipe, adjust the direction and distance, tighter the screw</p>	<p>3</p> <p>1, Screw the connector to the G1/2 joint, screw with tape 2, Screw the connector with tape 3, Drill wall hole according to the pipe connector, put expand plastic screw into the hole, fix the connector.</p>	<p>4</p> <p>1, Install the shower column with the base and connector. Adjust the size if necessary. 2, Tighter the screw of base and mixer.</p>
--	--	--	--