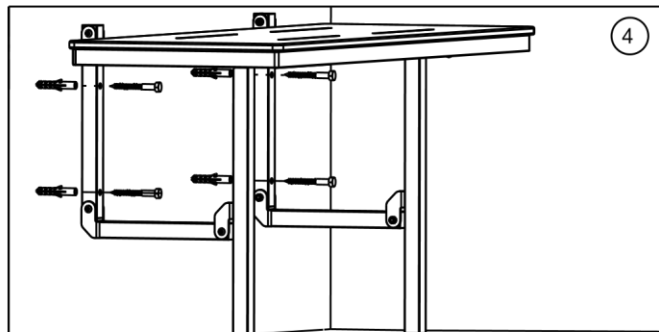
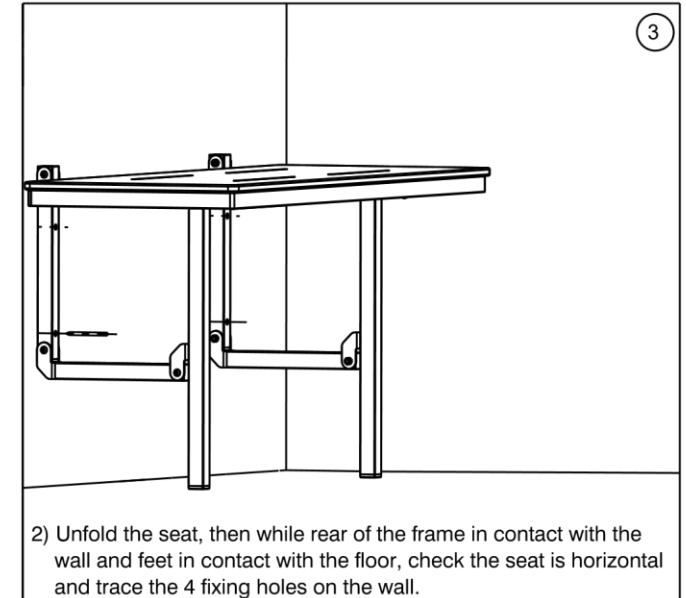
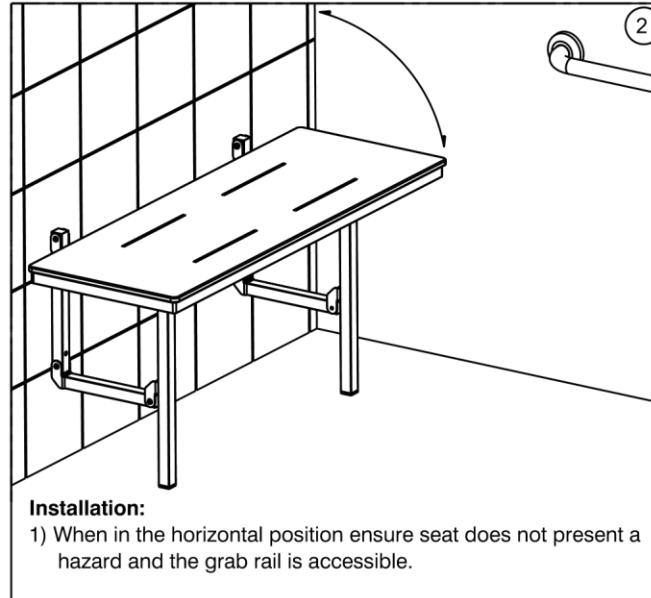
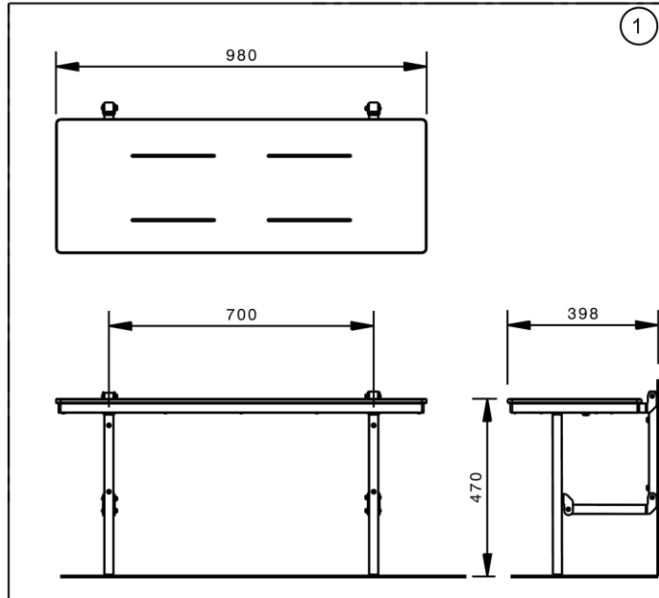


CARE SHOWER SEAT

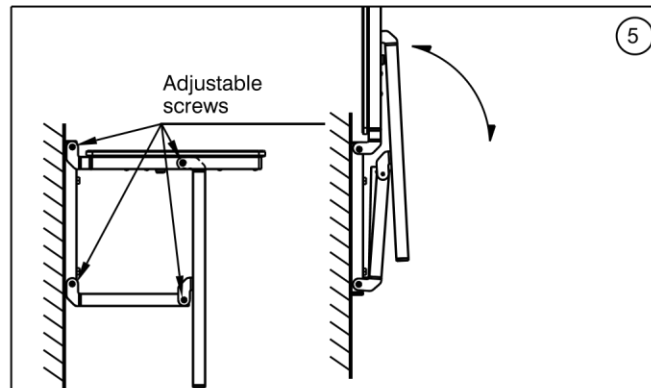
INSTALLATION INSTRUCTIONS

Important Information:

- Refer to AS1428.1 Design for Access and Mobility for installation requirements
- Grade 304 Stainless Steel M8 x 70mm hexagon coach screws and 10mm wall plugs are supplied.
- For fixing to timber, use only hexagon coach screws. For fixing to brickwork, block work or concrete, use the hexagon screws with 10mm wall plugs or equivalent.



- 3) Drill $\varnothing 10\text{mm}$ for solid walls: (brick, masonry blocks, concrete etc.)
Drill $\varnothing 6\text{mm}$ for timber stud /noggin
- Drill holes 50mm deep for each traced hole.
 - (For solid walls only)** Insert the wall plug into each drilled hole and ensure they are flush with the wall surface.
 - Align the frame with the holes and screw M8 hexagon coach screws through until the seat frame is fully secured against the wall.



- 4) Check that the seat is firmly secured to wall and the tension grip hinge screws are appropriately tightened. **Important:** Check the folding of the seat a few times to ensure the seat does not drop down and can be lifted. If required the screws can be adjusted to increase or decrease the force required to open / close the seat.