

Installation Instruction – SS A546

Preparation:

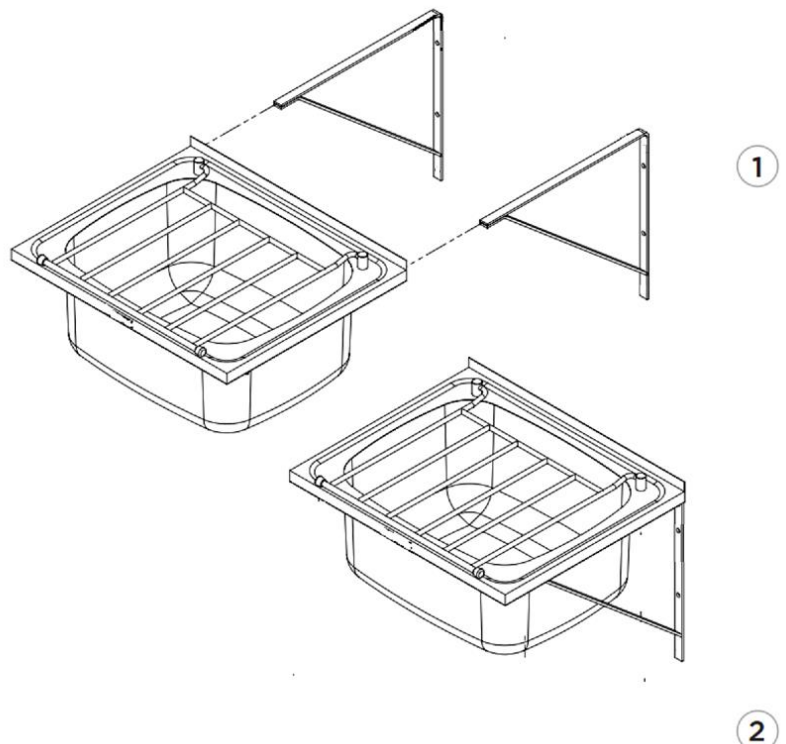
Please note: Ideally, stainless steel cleaner sinks should be installed after all other building activities that could cause contamination to the surface of the stainless steel have been completed. These activities include:

Using proprietary building mortar removers containing hydrochloric acid. Welding, cutting and grinding that may 'spray' carbon steel and iron particles onto the stainless-steel surface.

1. Remove sink from box packaging and inspect for any damage before beginning installation process.
2. Confirm all requested details are correct.
3. If the sink is damaged in transit or if any details are not as requested, do not install it. Notify Retailer immediately within 24 hours of receipting the product.

Installation Steps:

1. Mark a level, horizontal line on the wall at the desired height (630mm recommended) for the sink to be installed.
2. Measure the width of sinks, then mark the hole centres for the brackets and secure to wall with supplied bolts.
3. Slide sink onto brackets and fix in place with silicon.
4. Install the waste (supplied) into the sink.



Care and Maintenance

Cleaning Materials: • A soft cloth • A soft-bristled brush • A natural or artificial sponge

Cleaning Solutions: • Hand washing soap / soft water solution • Mild soap / soft water solution
White vinegar / soft water solution.

It is recommended that general cleaning of stainless-steel surfaces be carried out weekly, or as soon as a build-up of surface media has been observed. To clean, simply wash stainless steel surfaces with, warm, diluted, mild soapy water using a cloth or soft bristled brush. Once all dirt, oil and grime are removed, rinse thoroughly with clean water and wipe dry.