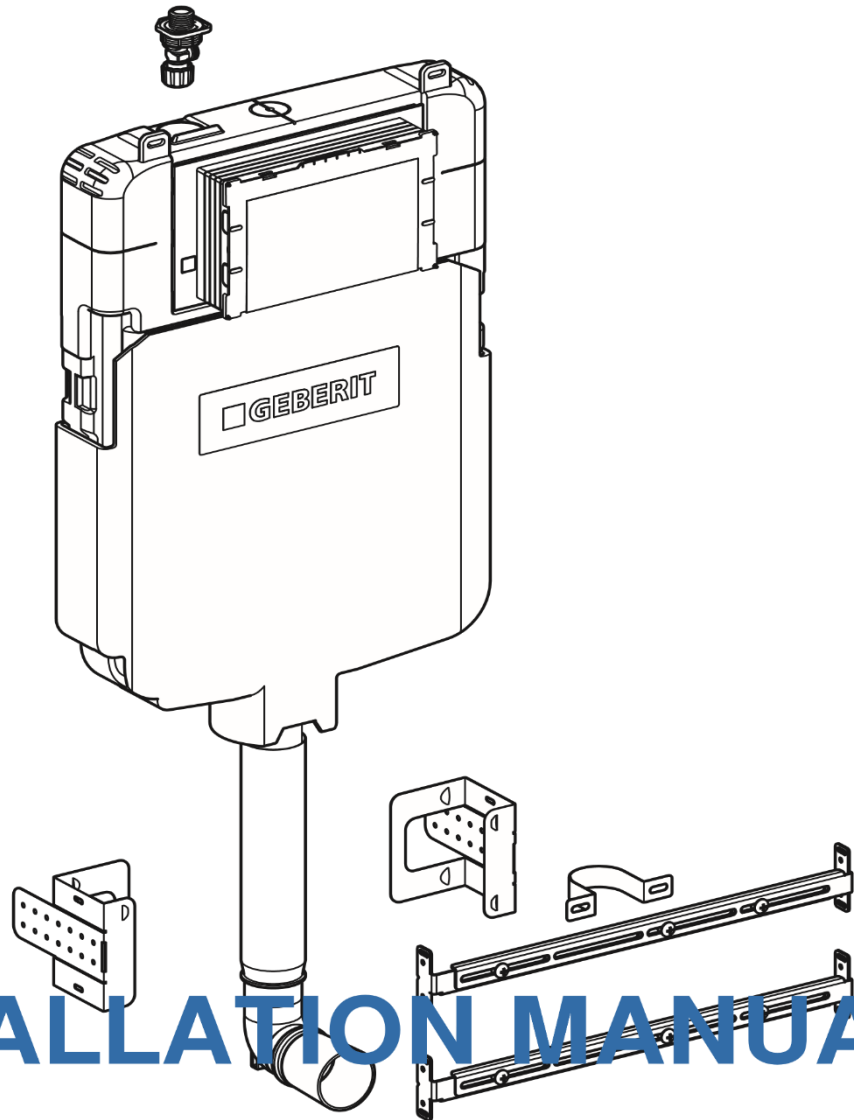


**ZENMO**  
Zen-inspired, Modern Living

HEAD OFFICE:  
42 Castro Way.  
Derrimut Vic 3026  
ABN: 70 095 343 123  
Tel: 03 8390 6300 Fax: 03 8390 6366  
EMAIL: [ect\\_sales@outlook.com](mailto:ect_sales@outlook.com) Website: [www.zenmo.com.au](http://www.zenmo.com.au)

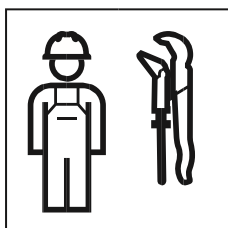


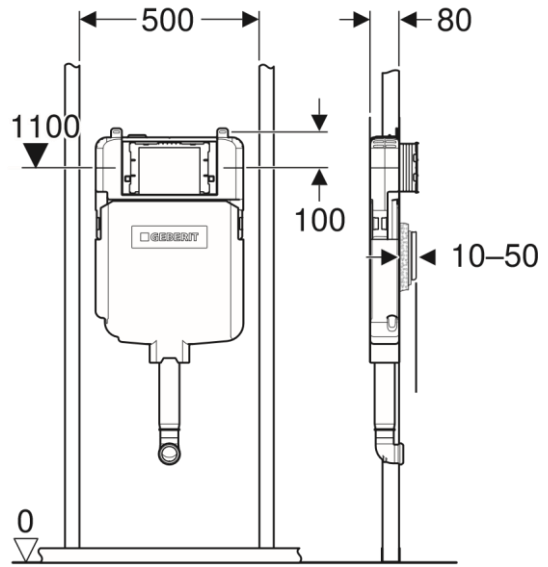
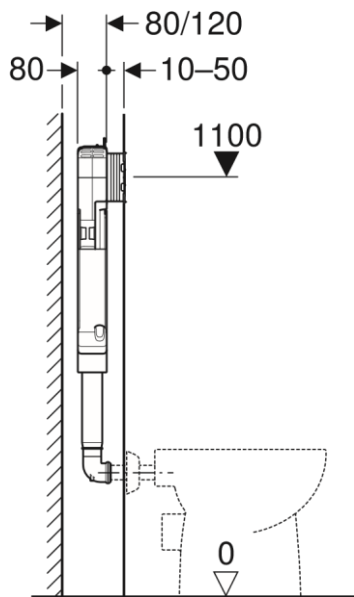
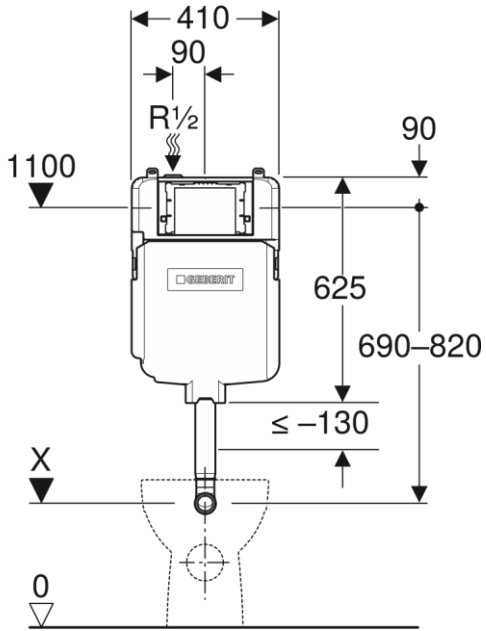
# INSTALLATION MANUAL

MONTAGEANLEITUNG

INSTRUCTIONS DE MONTAGE  
ISTRUZIONI PER IL MONTAGGIO

**KNOW  
HOW  
INSTALLED**

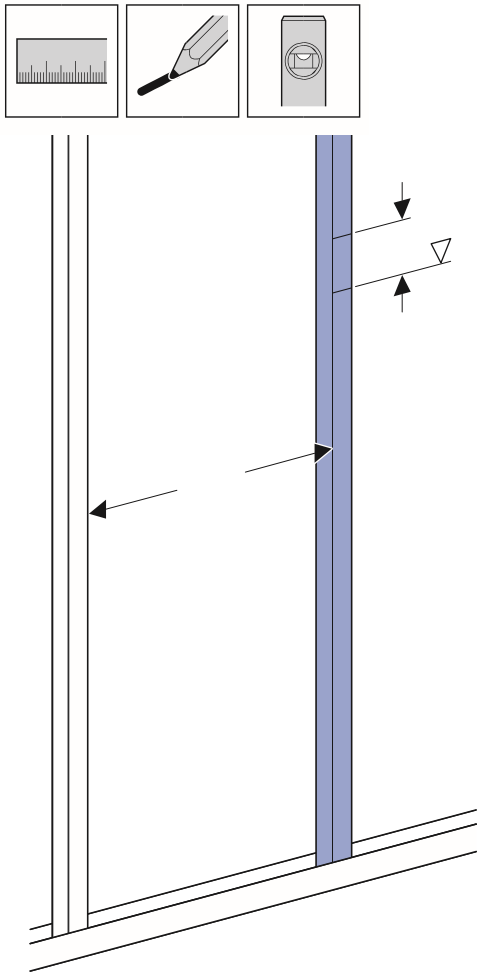




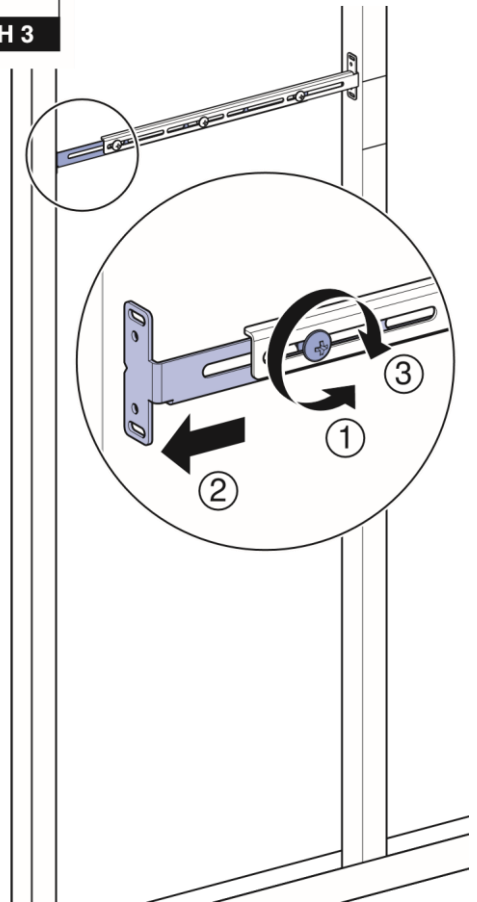
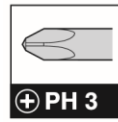


**1**

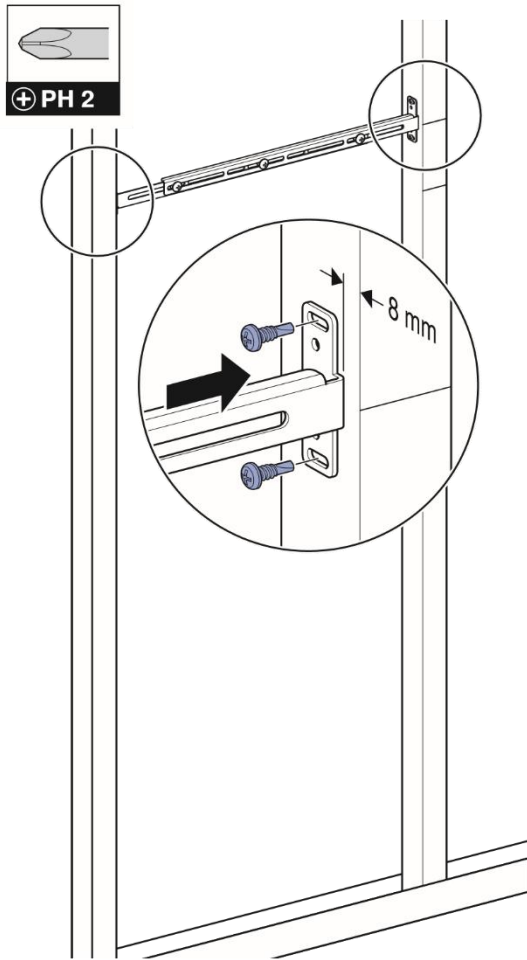
**1**



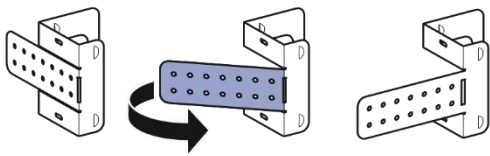
**2**



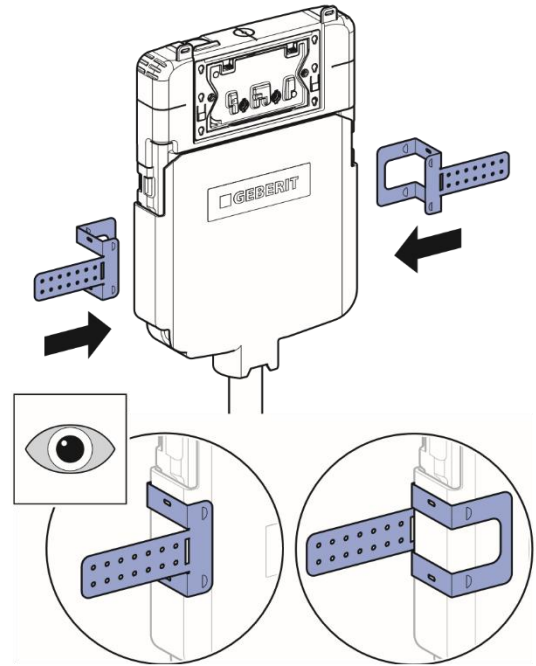
3



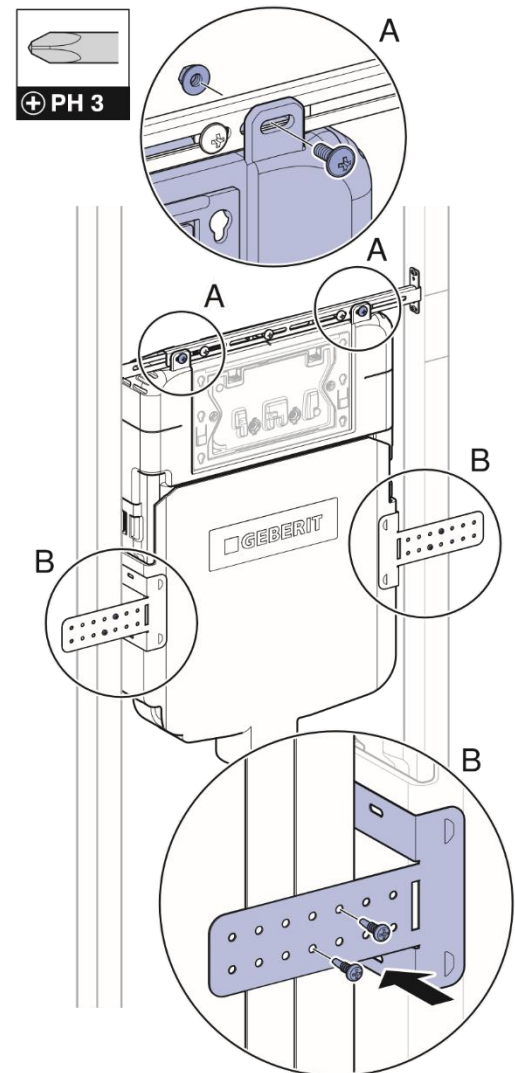
4



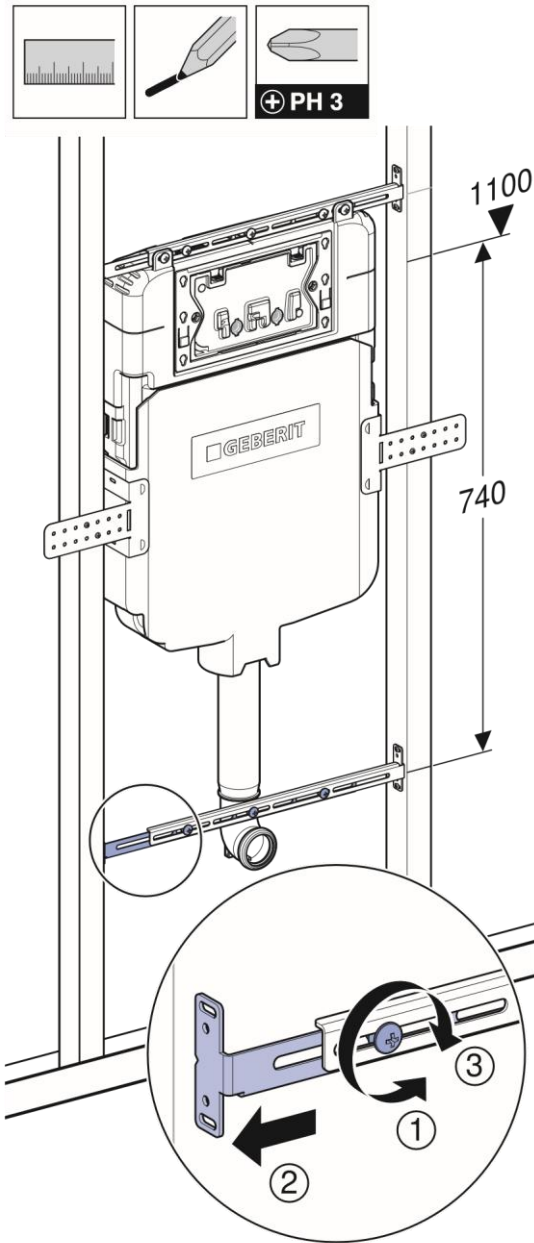
5



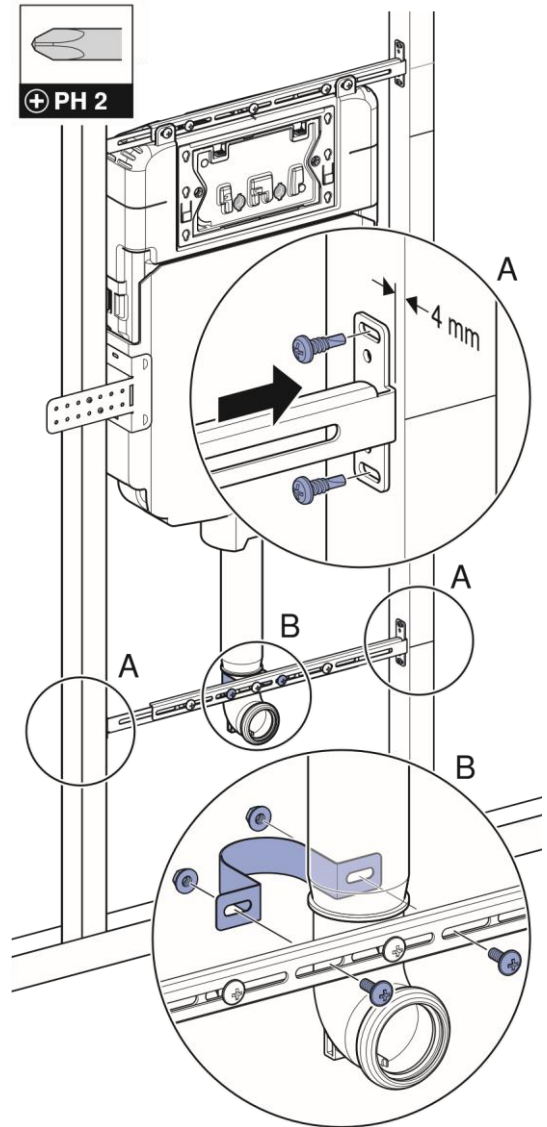
6



7

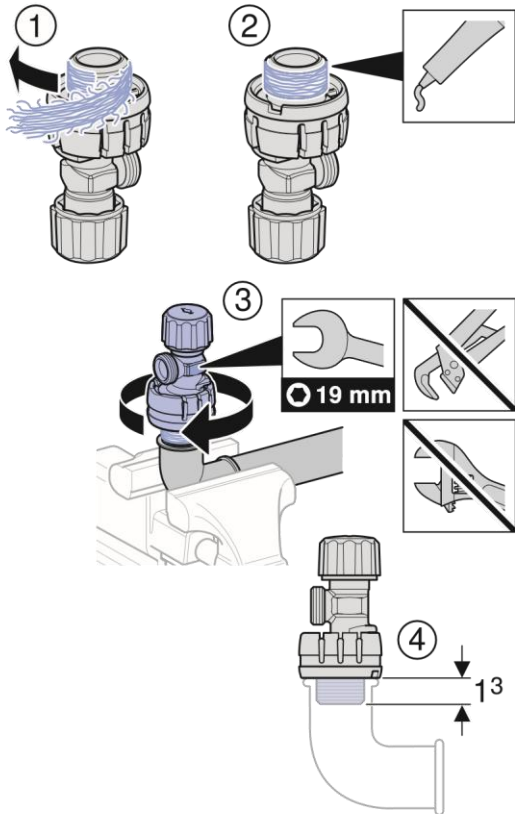


8

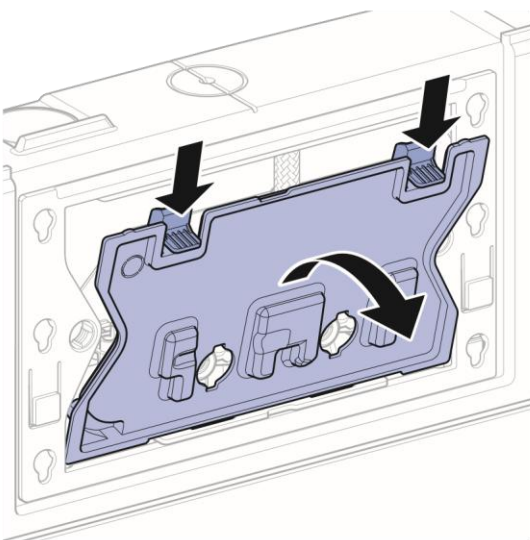


# 2

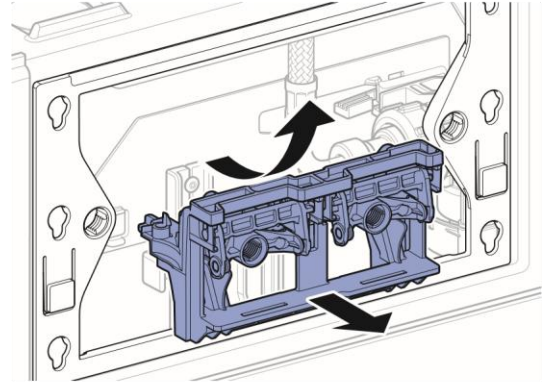
1



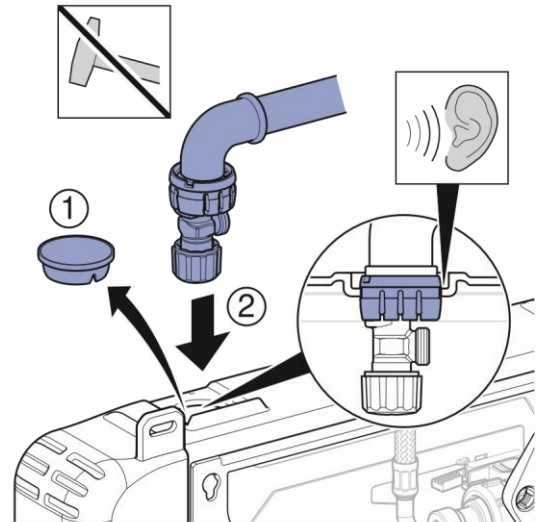
2



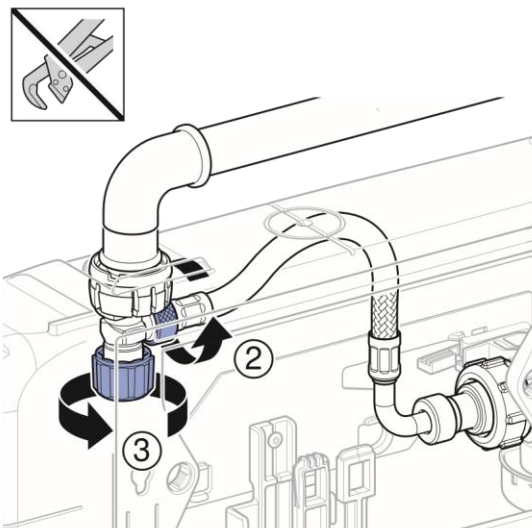
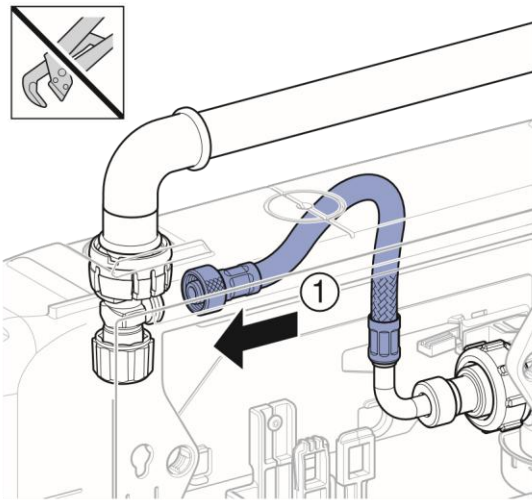
3



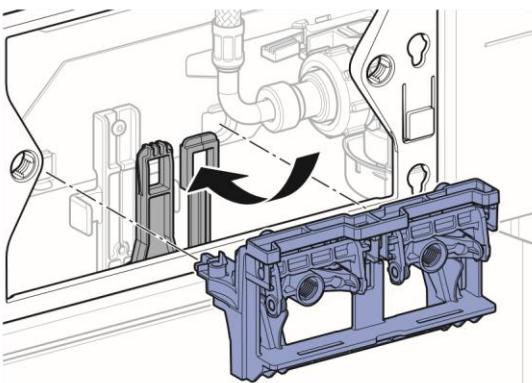
4



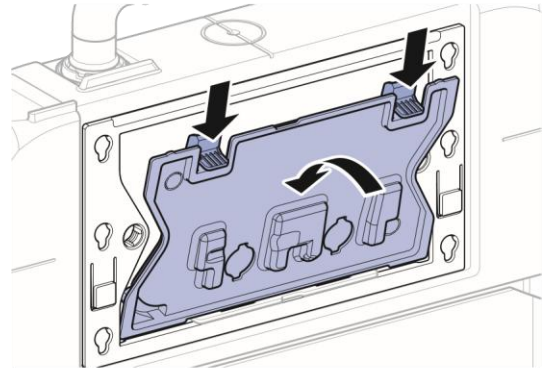
5



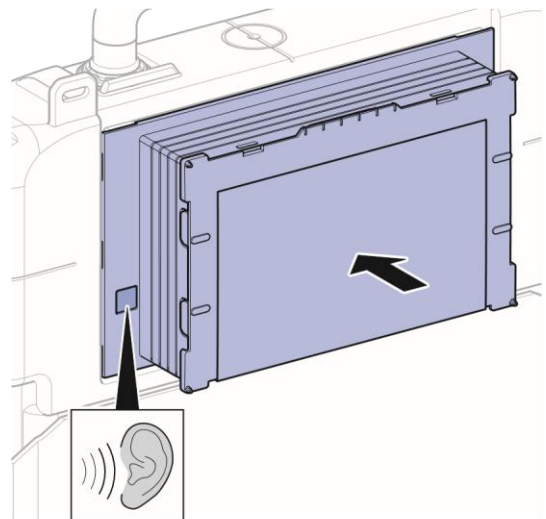
6



7

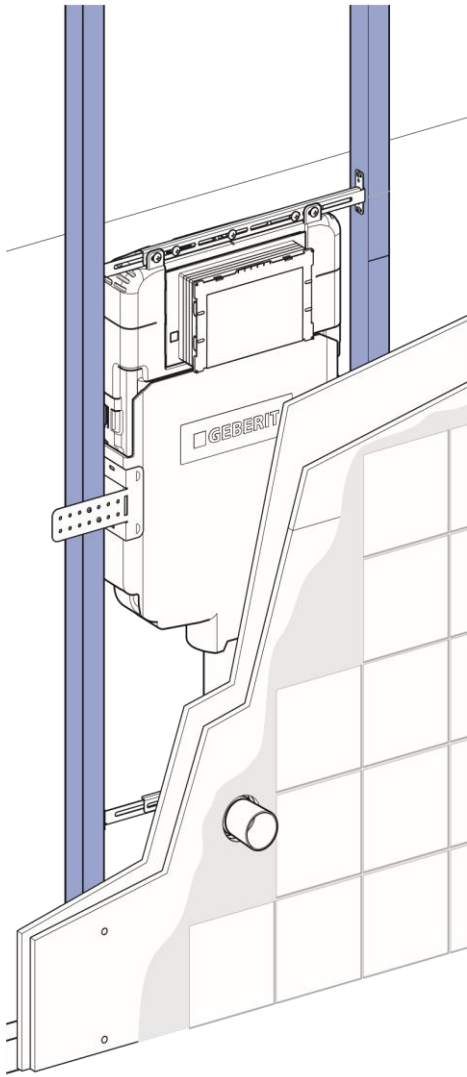


8

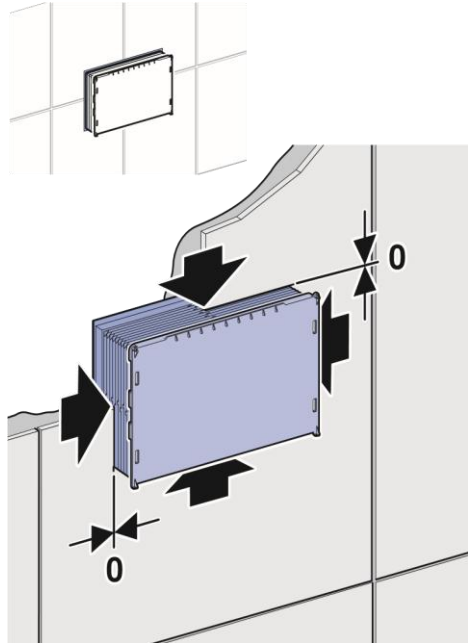


# 3

1



2



Geberit International AG  
Schachenstrasse 77, CH-8645 Jona  
documentation@geberit.com  
www.geberit.com

