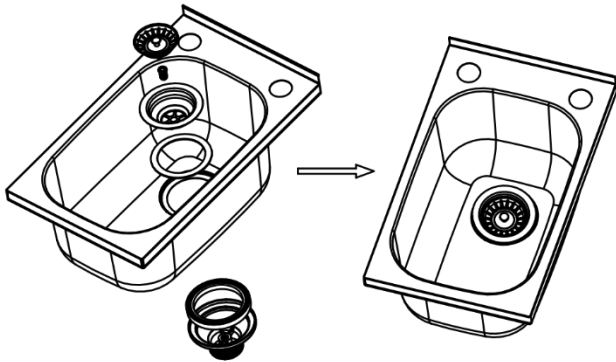
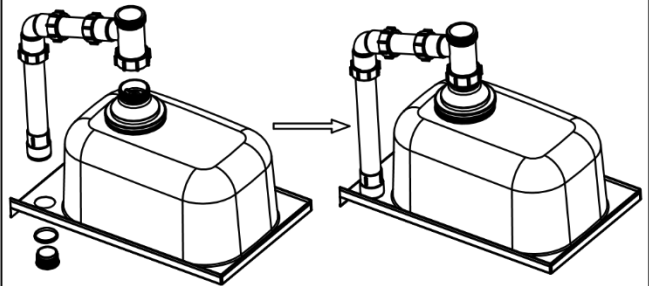


Laundry Cabinet Installation Instructions

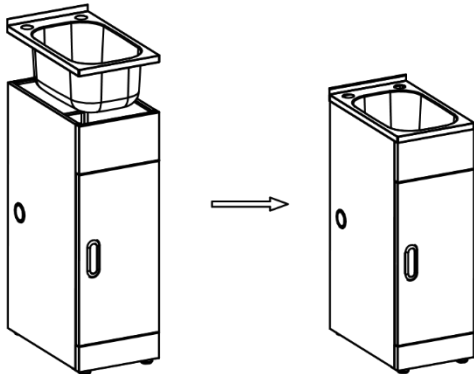
1. Install the drain



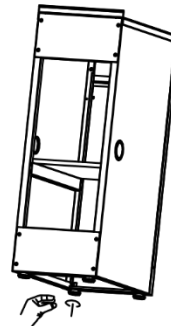
2. Install the by pass kit



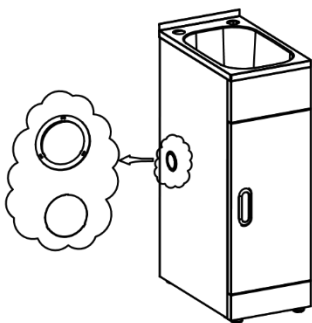
3. Put sink into the cabinet



4. Adjust the feet height to horizontal



5. Knock off the left or right cover to pass through the drainage pipe



6. Keep close to the wall and connect the drainage pipe to the drainage outlet

